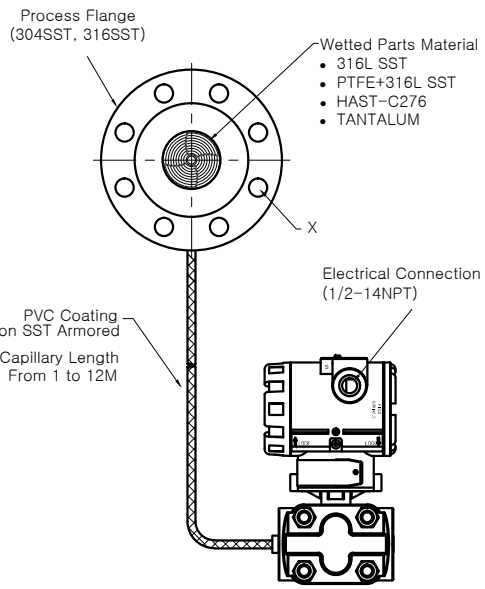
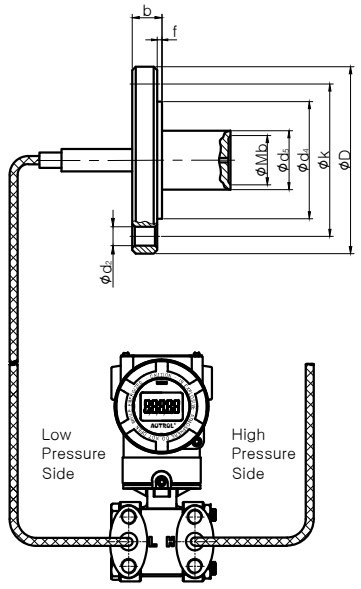


Part No.



MODEL CODE

1. Model : APT3100 LEC(Two Remote Seal) LES(One Remote Seal)
2. Flange Size & Material
 2inch(50A) 3inch(80A) 4inch(100A) Others _____
 316L SST 304 SST
3. Flange Rating
 ANSI 150# ANSI 300# JIS 10K JIS 20K
 DIN PN10/16 DIN PN 25/40 RF OFF RJT
 Others _____
4. Extension Length(mm)
 50 100 150 Others _____
5. Diaphragm Material
 316L SST PTFE+316L SST Hast-C Tantalum Others _____
6. Fill Fluid
 Silicone 200 Silicone 704 Others _____
7. Capillary Length(m)
 Low : _____ High : _____
8. Electric Conn.
 1/2NPT(F) G1/2(F) Others _____
9. Hazadous Location Certificate
 Ex d Ex ia IP67 IP66 Others _____
10. Option
 LCD Indicator(5-Digit) Oil Free
 Lightning Protector(Internal) Bracket BA
 Bracket BF Others _____

Flange Size : 80mm (3 inch)

(Unit : mm)

| Flange Rating | Mb | D | b | d2 | k | f | d4 | d5 | X |
|---------------|----|-----|----|-----|-------|-----|-----|----|---|
| ANSI Class150 | 72 | 190 | 24 | 19 | 152.5 | 1.5 | 127 | 76 | 4 |
| ANSI Class300 | | 210 | 29 | 22 | 168.5 | | | | 8 |
| JIS 10K | 72 | 185 | 18 | 19 | 150 | 2 | 127 | 76 | 8 |
| JIS 20K | | 200 | 22 | 23 | 160 | | | | 8 |
| DIN PN 10/16 | 72 | 200 | 20 | 18 | 160 | 3 | 138 | 76 | 8 |
| DIN PN 25/40 | | 24 | 22 | 160 | | | | | |

Flange Size : 50mm (2 inch)

(Unit : mm)

| Flange Rating | Mb | D | b | d2 | k | f | d4 | d5 | X |
|---------------|----|-----|----|----|-------|-----|-----|----|---|
| ANSI Class150 | 40 | 152 | 19 | 19 | 120.5 | 1.5 | 92 | 48 | 4 |
| ANSI Class300 | | 165 | 22 | 19 | 127 | | | | 8 |
| JIS 10K | 40 | 155 | 16 | 19 | 120 | 2 | 96 | 48 | 4 |
| JIS 20K | | | 18 | | | | | | 8 |
| DIN PN 10/16 | 40 | 165 | 20 | 18 | 125 | 3 | 102 | 48 | 4 |
| DIN PN 25/40 | | | | | | | | | |

Flange Size : 100mm (4 inch)

(Unit : mm)

| Flange Rating | Mb | D | b | d2 | k | f | d4 | d5 | X |
|---------------|----|-----|----|----|-----|-----|-----|----|---|
| ANSI Class150 | 89 | 229 | 24 | 19 | 190 | 1.5 | 157 | 96 | 8 |
| ANSI Class300 | | 254 | 32 | 22 | 200 | | | | |
| JIS 10K | 89 | 210 | 18 | 19 | 175 | 2 | 157 | 96 | 8 |
| JIS 20K | | 225 | 24 | 23 | 185 | | | | |
| DIN PN 10/16 | 89 | 220 | 20 | 18 | 180 | 3 | 157 | 96 | 8 |
| DIN PN 25/40 | | 235 | 24 | 22 | 190 | | | | |

| Rev. | Description | Dwg. | Date | Chk'd | Date | App'd | Date |
|------|-------------|------|------|-------|------|-------|------|
| | | | | | | | |
| | | | | | | | |

GENERAL TOLERANCE

| RANGE | 0.5-6 | 7-30 | 31-120 |
|-------|---------|----------|-----------|
| TOL. | ±0.1 | ±0.2 | ±0.3 |
| RANGE | 121-315 | 316-1000 | 1001-2000 |
| TOL. | ±0.5 | ±0.8 | ± 1 |

AUTROL® DUON System Co.,Ltd.

TITLE APT3100 LEC/LES
Outline Dimension

| | | | | |
|-------------|--------------|-----------|------------------|--------|
| Size | Scale | Unit | DWG No. | Rev. |
| A3 | NS | mm | MD-ASS-3100-LECS | 0 |
| Elec. Class | Safety Class | Sei. Cat. | Sheet | 1 of 1 |