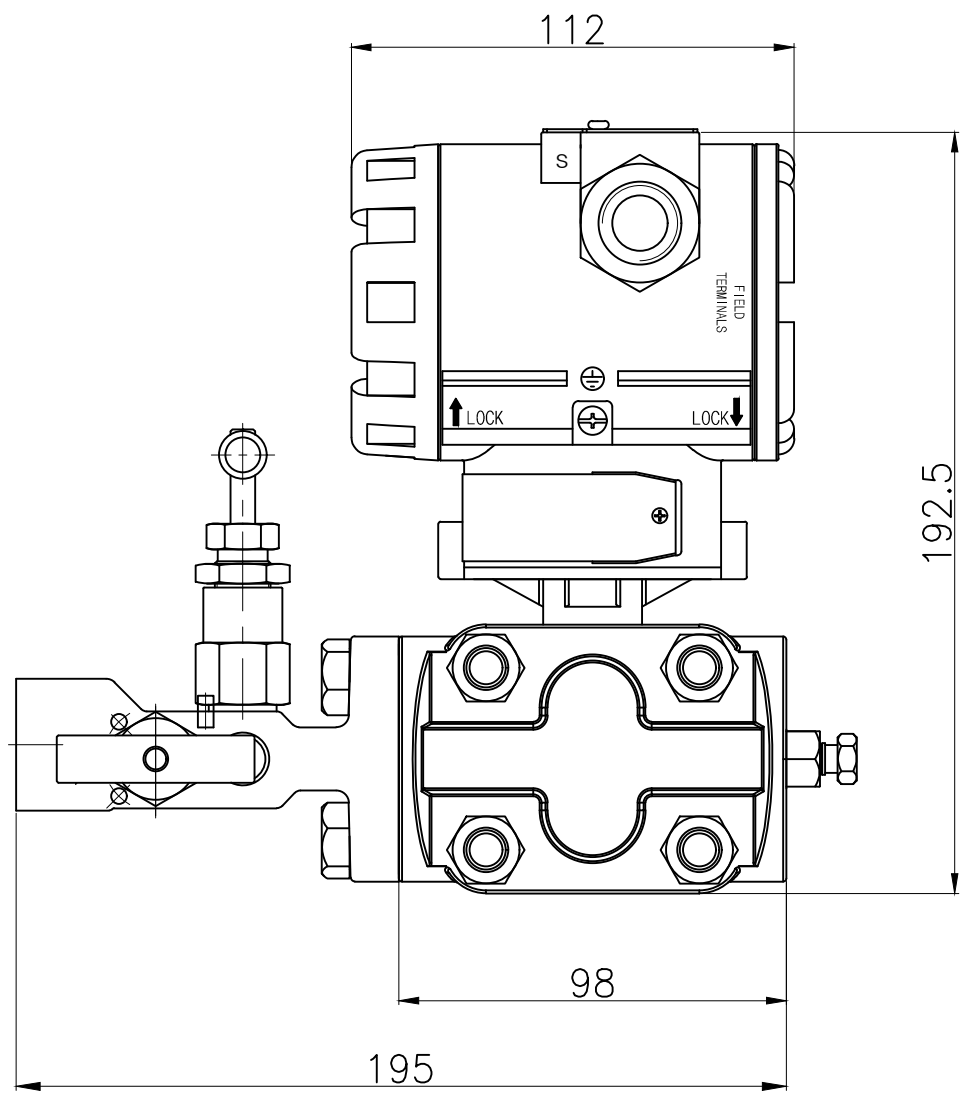
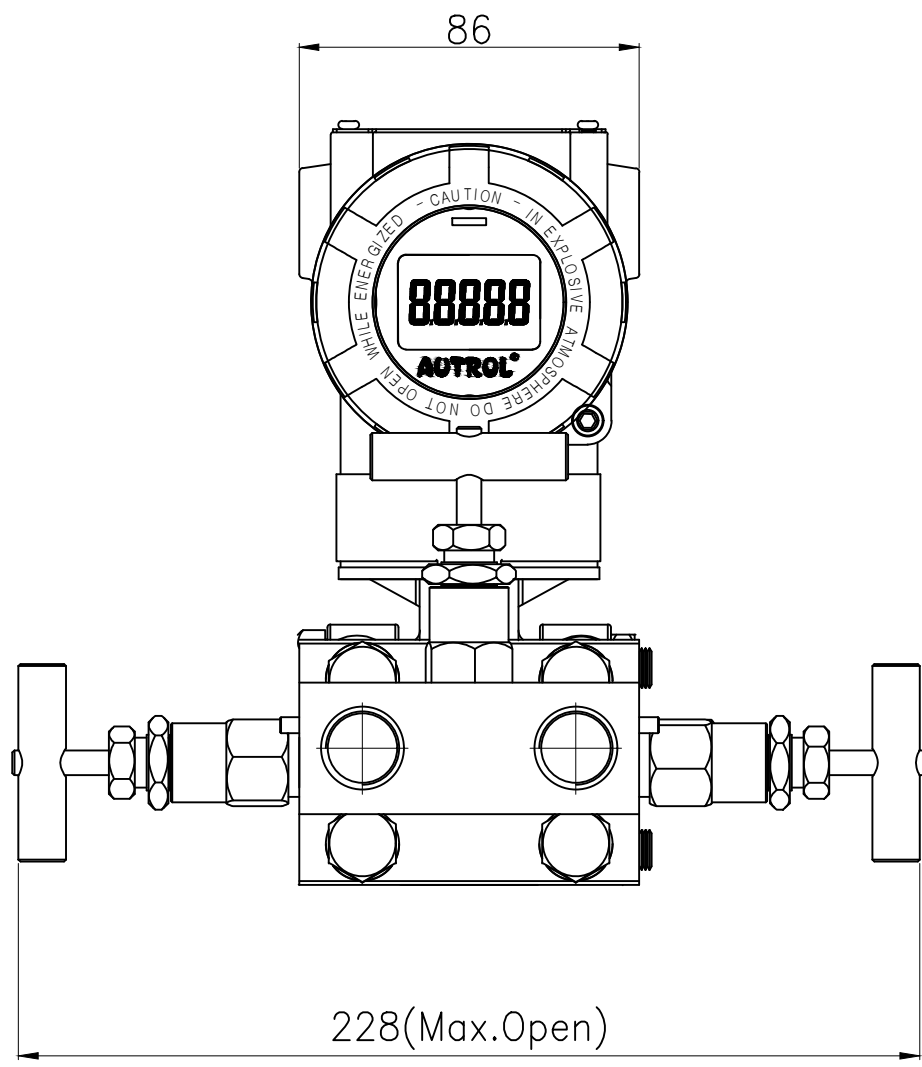


8 7 6 5 4 3 2 1

F
E
D
C
B
A

Part No. _____



										AUTROL[®] DUON System Co.,Ltd.											
										TITLE Smart Pressure Transmitter APT3100 Manifold(Flange Type)											
										GENERAL TOLERANCE			Size		Scale		Unit		DWG No.		Rev.
										RANGE	0.5-6	7-30	31-120	A3	NS	mm	MD-ASS-3100-F3M		0		
										TOL.	±0.1	±0.2	±0.3	Elec. Class	-	Safety Class	-	Sei. Cat.	-	Sheet	1 of 1
										RANGE	121-315	316-1000	1001-2000								
										TOL.	±0.5	±0.8	± 1								
Rev.	Description			Dwg.	Date	Chk'd	Date	App'd	Date												

8 7 6 5 4 3 2 1