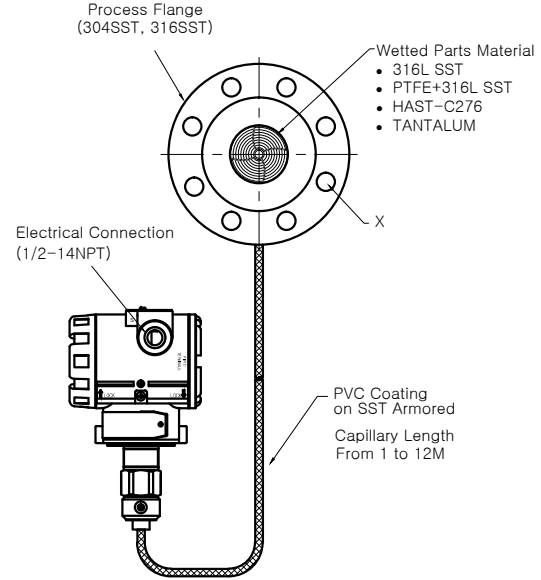
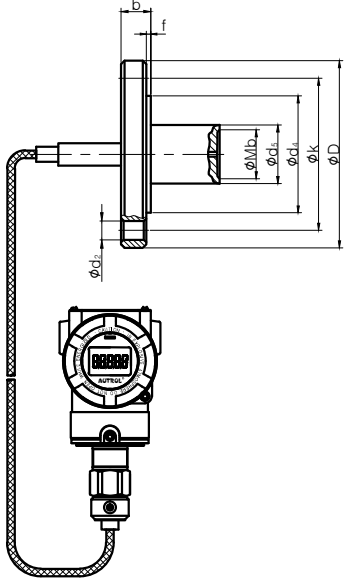


Part No.



MODEL CODE

1. Model : APT3200LES
2. Flange Size & Material
 - 2inch(50A) 3inch(80A) 4inch(100A) Others _____
 - 316L SST 304 SST
3. Flange Rating
 - ANSI 150# ANSI 300# JIS 10K JIS 20K
 - DIN PN10/16 DIN PN 25/40 RF FF RJT
 - Others _____
4. Extension Length(mm)
 - 50 100 150 Others _____
5. Diaphragm Material
 - 316L SST PTFE+316L SST Hast-C Tantalum Others _____
6. Fill Fluid
 - Silicone 200 Silicone 704 Others _____
7. Capillary Length(m) : _____
8. Electric Conn.
 - 1/2NPT(F) G1/2(F) Others _____
9. Hazadous Location Certificate
 - Ex d Ex ia IP67 IP66 Others _____
10. Option
 - LCD Indicator(5-Digit) Oil Free
 - Lightning Protector(Internal) Bracket BA
 - Bracket BF Others _____

Wetted Parts Material
 • 316L SST
 • PTFE+316L SST
 • HAST-C276
 • TANTALUM

PVC Coating
 on SST Armored
 Capillary Length
 From 1 to 12M

Flange Size : 80mm (3 inch)

(Unit : mm)

Flange Rating	Mb	D	b	d2	k	f	d4	d5	X
ANSI Class150	72	190	24	19	152.5	1.5	127	76	4
ANSI Class300		210	29	22	168.5				8
JIS 10K	72	185	18	19	150	2	127	76	8
JIS 20K		200	22	23	160				8
DIN PN 10/16	72	200	20	18	160	3	138	76	8
DIN PN 25/40		24	22						

Flange Size : 50mm (2 inch)

(Unit : mm)

Flange Rating	Mb	D	b	d2	k	f	d4	d5	X
ANSI Class150	40	152	19	19	120.5	1.5	92	48	4
ANSI Class300		165	22	19	127				8
JIS 10K	40	155	16	19	120	2	96	48	4
JIS 20K			18						8
DIN PN 10/16	40	165	20	18	125	3	102	48	4
DIN PN 25/40									

Flange Size : 100mm (4 inch)

(Unit : mm)

Flange Rating	Mb	D	b	d2	k	f	d4	d5	X
ANSI Class150	89	229	24	19	190	1.5	157	96	8
ANSI Class300		254	32	22	200				
JIS 10K	89	210	18	19	175	2	157	96	8
JIS 20K		225	24	23	185				
DIN PN 10/16	89	220	20	18	180	3	157	96	8
DIN PN 25/40		235	24	22	190				

Rev.	Description	Dwg.	Date	Chk'd	Date	App'd	Date

GENERAL TOLERANCE			
RANGE	0.5-6	7-30	31-120
TOL.	±0.1	±0.2	±0.3
RANGE	121-315	316-1000	1001-2000
TOL.	±0.5	±0.8	± 1

AUTROL® DUON System Co.,Ltd.										
TITLE		APT3200 LES Outline Dimension								
Size	Scale	Unit	DWG No.					Rev.		
A3	NS	mm	MD-ASS-3200-LES					0		
Elec. Class	Safety Class		Sei. Cat.		Sheet	1 of 1				