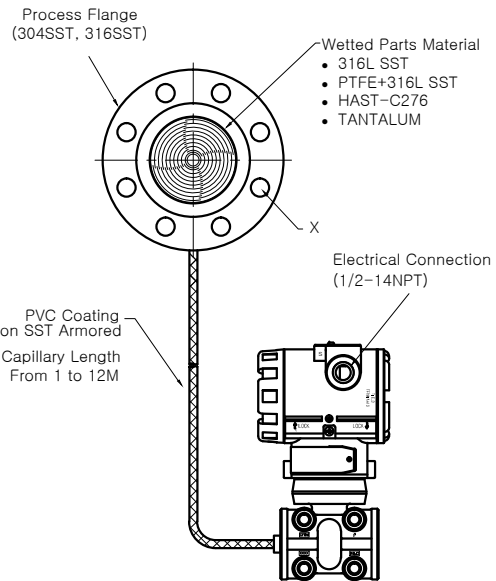
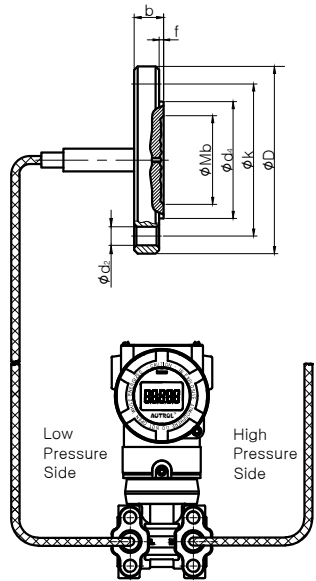


Part No.



MODEL CODE

- 1. Model : APT3500 LFC(Two Remote Seal) LFS(One Remote Seal)
- 2. Flange Size & Material
 2inch(50A) 3inch(80A) 4inch(100A) Others _____
 316L SST 304 SST
- 3. Flange Rating
 ANSI 150# ANSI 300# JIS 10K JIS 20K
 DIN PN10/16 DIN PN 25/40 RF FF RJT
 Others _____
- 4. Diaphragm Material
 316L SST PTFE+316L SST Hast-C Tantalum Others _____
- 5. Fill Fluid
 Silicone 200 Silicone 704 Others _____
- 6. Capillary Length(m)
 Low : _____ High : _____
- 7. Electric Conn.
 1/2NPT(F) G1/2(F) Others _____
- 8. Hazardous Location Certificate
 Ex d Ex ia IP67 IP66 Others _____
- 9. Option
 LCD Indicator(5-Digit) Oil Free
 Lightning Protector(Internal) Bracket BA
 Bracket BF Others _____

Flange Size : 80mm (3 inch)

(Unit : mm)

Flange Rating	Mb	D	b	d2	k	f	d4	X
ANSI Class150	72	190	24	19	152.5	1.5	127	4
ANSI Class300		210	29	22	168.5			8
JIS 10K	72	185	18	19	150	2	127	8
JIS 20K		200	22	23	160			8
DIN PN 10/16	72	200	20	18	160	3	138	8
DIN PN 25/40		24	22	190				

Flange Size : 50mm (2 inch)

(Unit : mm)

Flange Rating	Mb	D	b	d2	k	f	d4	X
ANSI Class150	40	152	19	19	120.5	1.5	92	4
ANSI Class300		165	22	19	127			8
JIS 10K	40	155	16	19	120	2	96	4
JIS 20K			18					8
DIN PN 10/16	40	165	20	18	125	3	102	4
DIN PN 25/40								

Flange Size : 100mm (4 inch)

(Unit : mm)

Flange Rating	Mb	D	b	d2	k	f	d4	X
ANSI Class150	89	229	24	19	190	1.5	157	8
ANSI Class300		254	32	22	200			8
JIS 10K	89	210	18	19	175	2	157	8
JIS 20K		225	24	23	185			8
DIN PN 10/16	89	220	20	18	180	3	157	8
DIN PN 25/40		235	24	22	190			

Rev.	Description	Dwg.	Date	Chk'd	Date	App'd	Date

GENERAL TOLERANCE

RANGE	0.5-6	7-30	31-120
TOL.	±0.1	±0.2	±0.3
RANGE	121-315	316-1000	1001-2000
TOL.	±0.5	±0.8	± 1

AUTROL® DUON System Co.,Ltd.										
TITLE		APT3500 LFC/LFS Outline Dimension								
Size	Scale	Unit	DWG No.						Rev.	
A3	NS	mm	MD-ASS-3500-LFCS						0	
Elec. Class	Safety Class	-	Sei. Cat.	-	Sheet	1 of 1				