

8 7 6 5 4 3 2 1

Part No. _____

F F

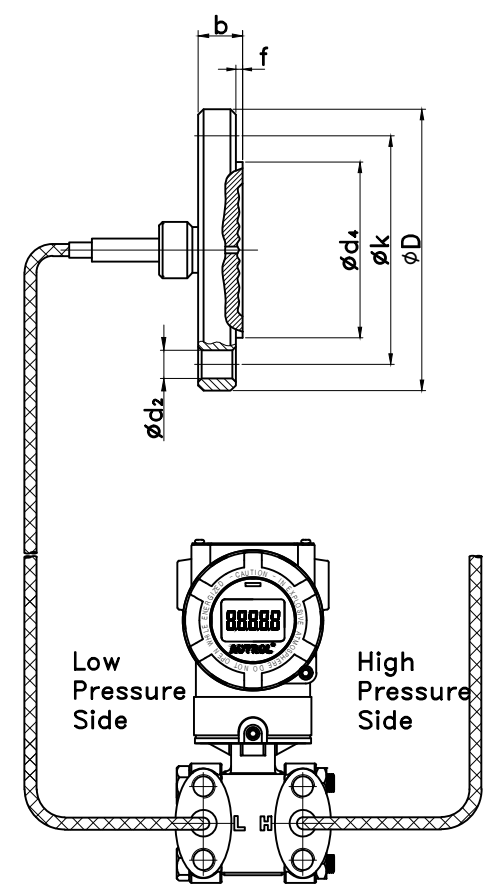
E E

D D

C C

B B

A A



Process Flange (304SST, 316SST)

- Wetted Parts Material**
- 316L SST
 - 316L SST+PTFE
 - HAST-C276
 - TANTALUM

PVC Coating on SST Armored
Capillary Length From 1 to 12M

Electrical Connection (1/2-14NPT)

Process Flange (304SST, 316SST)

- Wetted Parts Material**
- 316L SST
 - 316L SST+PTFE
 - HAST-C276
 - TANTALUM

Flange Size : 50mm (2 inch) (Unit : mm / Tolerance ±1)

Flange Rating	D	b	d2	k	f	d4	X
ANSI Class150	152	19	19	120.5	1.5	92	4
ANSI Class300	165	22		127			8
JIS 10K	155	16	19	120	2	96	4
JIS 20K		18					8
DIN PN 10/16	165	20	18	125	3	102	4
DIN PN 25/40							4

Flange Size : 80mm (3 inch) (Unit : mm / Tolerance ±1)

Flange Rating	D	b	d2	k	f	d4	X
ANSI Class150	190	24	19	152.5	1.5	127	4
ANSI Class300	210	29	22	168.5			8
JIS 10K	185	18	19	150	2	127	8
JIS 20K	200	22	23	160			8
DIN PN 10/16	200	20	18	160	3	138	8
DIN PN 25/40		24	22				8

Flange Size : 100mm (4 inch) (Unit : mm / Tolerance ±1)

Flange Rating	D	b	d2	k	f	d4	X
ANSI Class150	229	24	19	190	1.5	157	8
ANSI Class300	254	32	22	200			8
JIS 10K	210	18	19	175	2	157	8
JIS 20K	225	24	23	185			8
DIN PN 10/16	220	20	18	180	3	157	8
DIN PN 25/40	235	24	22	190			8

Rev.	Description	Dwg.	Date	Chk'd	Date	App'd	Date

GENERAL TOLERANCE		
RANGE	0.5-6	7-30
TOL.	±0.1	±0.2
RANGE	121-315	316-1000
TOL.	±0.5	±0.8

AUTROL® DUON System Co.,Ltd.

TITLE		Pressure Sensor Meter APT3700N LFC Outline Dimension									
Size	Scale	Unit	DWG No.				Rev.				
A3	NS	mm	MD-ASS-3700N-LFC				0				
Elec. Class	-	Safety Class	-	Sei. Cat.	-	Sheet	1 of 1				

8 7 6 5 4 3 2 1