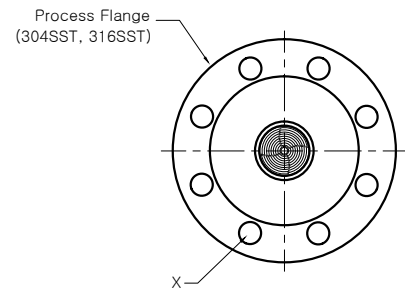
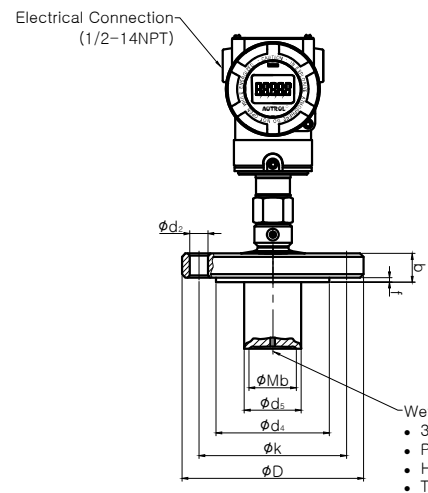


8 7 6 5 4 3 2 1

Part No. \_\_\_\_\_



- Wetted Parts Material
- 316L SST
  - PTFE+316L SST
  - HAST-C276
  - TANTALUM

**MODEL CODE**

- Model : APT3200LED
- Flange Size & Material  
 2inch(50A)  3inch(80A)  4inch(100A)  Others \_\_\_\_\_  
 316L SST  304 SST
- Flange Rating  
 ANSI 150#  ANSI 300#  JIS 10K  JIS 20K  
 DIN PN10/16  DIN PN 25/40  RF  FF  RJT  
 Others \_\_\_\_\_
- Extension Length(mm)  
 50  100  150  Others \_\_\_\_\_
- Diaphragm Material  
 316L SST  PTFE+316L SST  Hast-C  Tantalum  Others \_\_\_\_\_
- Fill Fluid  
 Silicone 200  Silicone 704  Others \_\_\_\_\_
- Electric Conn.  
 1/2NPT(F)  G1/2(F)  Others \_\_\_\_\_
- Hazardous Location Certificate  
 Ex d  Ex ia  IP67  IP66  Others \_\_\_\_\_
- Option  
 LCD Indicator(5-Digit)  Oil Free  
 Lightning Protector(Internal)  Bracket BA  
 Bracket BF  Others \_\_\_\_\_

Flange Size : 80mm (3 inch) (Unit : mm)

Flange Rating	Mb	D	b	d2	k	f	d4	d5	X
ANSI Class150	72	190	24	19	152.5	1.5	127	76	4
ANSI Class300		210	29	22	168.5				8
JIS 10K	72	185	18	19	150	2	127	76	8
JIS 20K		200	22	23	160				8
DIN PN 10/16	72	200	20	18	160	3	138	76	8
DIN PN 25/40		200	24	22					

Flange Size : 50mm (2 inch) (Unit : mm)

Flange Rating	Mb	D	b	d2	k	f	d4	d5	X
ANSI Class150	40	152	19	19	120.5	1.5	92	48	4
ANSI Class300		165	22	19	127				8
JIS 10K	40	155	16	19	120	2	96	48	4
JIS 20K			18	8					
DIN PN 10/16	40	165	20	18	125	3	102	48	4
DIN PN 25/40									

Flange Size : 100mm (4 inch) (Unit : mm)

Flange Rating	Mb	D	b	d2	k	f	d4	d5	X
ANSI Class150	89	229	24	19	190	1.5	157	96	8
ANSI Class300		254	32	22	200				
JIS 10K	89	210	18	19	175	2	157	96	8
JIS 20K		225	24	23	185				
DIN PN 10/16	89	220	20	18	180	3	157	96	8
DIN PN 25/40		235	24	22	190				

Rev.	Description	Dwg.	Date	Chk'd	Date	App'd	Date

GENERAL TOLERANCE			
RANGE	0.5-6	7-30	31-120
TOL.	±0.1	±0.2	±0.3
RANGE	121-315	316-1000	1001-2000
TOL.	±0.5	±0.8	± 1

<b>AUTROL®</b> DUON System Co.,Ltd.										
TITLE		APT3200 LED Outline Dimension								
Size	Scale	Unit	DWG No.					Rev.		
A3	NS	mm	MD-ASS-3200-LED					0		
Elec. Class	Safety Class	-	Sei. Cat.	-	Sheet	1 of 1				

F  
E  
D  
C  
B  
A

8 7 6 5 4 3 2 1