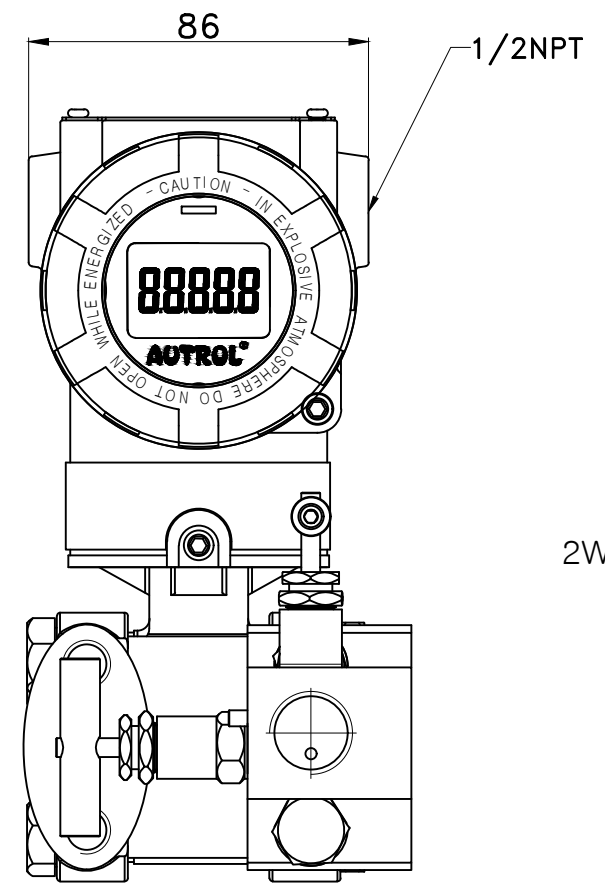


8 7 6 5 4 3 2 1

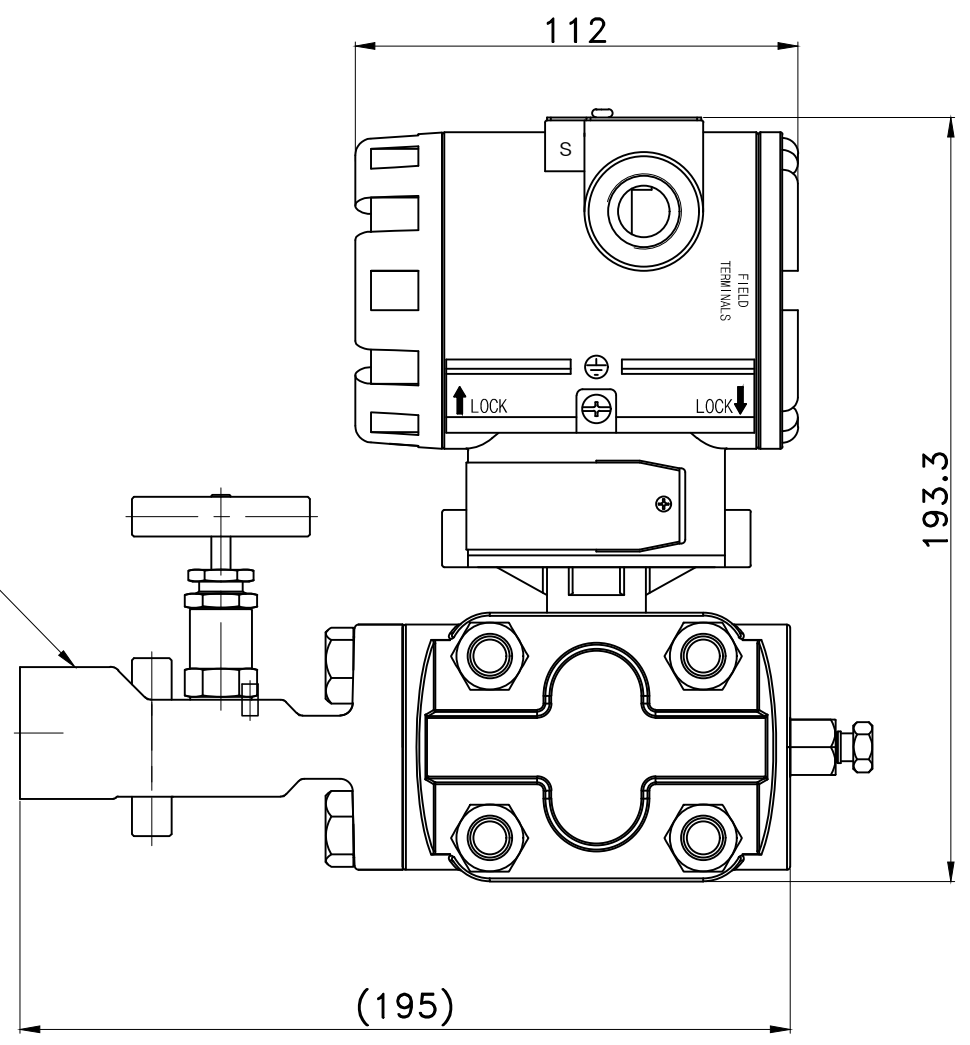
F  
E  
D  
C  
B  
A

F  
E  
D  
C  
B  
A

Part No. \_\_\_\_\_



2Way Manifold



**AUTROL®** DUON System Co.,Ltd.

								GENERAL TOLERANCE				TITLE Smart Pressure Transmitter APT3100 GP 2Way Manifold Valve							
								RANGE	0.5-6	7-30	31-120	Size	Scale	Unit	DWG No.		Rev.		
								TOL.	±0.1	±0.2	±0.3	A3	NS	mm	MD-ASS-3100-2MV		0		
								RANGE	121-315	316-1000	1001-2000	Elec. Class	-	Safety Class	-	Sei. Cat.	-	Sheet	1 of 1
Rev.	Description	Dwg.	Date	Chk'd	Date	App'd	Date	TOL.	±0.5	±0.8	± 1								

8 7 6 5 4 3 2 1