

8

7

6

5

4

3

2

1

Part No.

F

F

E

E

D

D

C

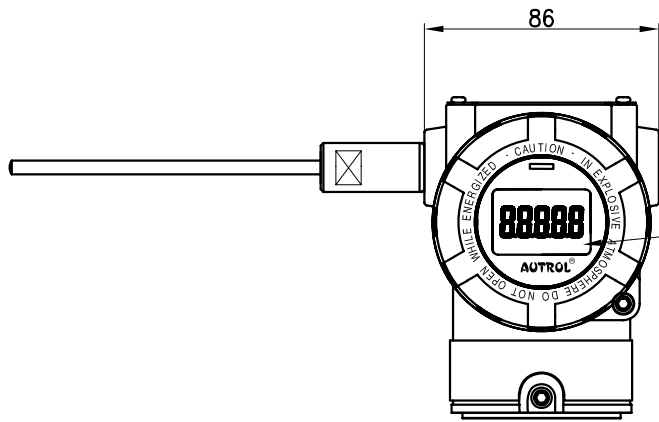
C

B

B

A

A

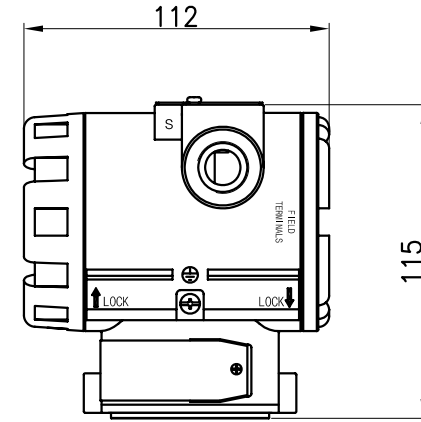


Electric Connection

- 1:1/2-14NPT(F)
- 2:G1/2

Optional

- None
- Digital Indicator



										AUTROL® DUON System Co.,Ltd.								
										GENERAL TOLERANCE		TITLE ATT2100 Outline Dimension Horizontal Type						
										RANGE	0.5-6	7-30	31-120	Size	Scale	DWG No.		Rev.
										TOL.	±0.1	±0.2	±0.3	A3	1:2	MD-ASS-2100-H501		0
										RANGE	121-315	316-1000	1001-2000	Unit	mm	File No.	Sheet	1 of 1
Rev.	Description				Dwg.	Date	Chk'd	Date	App'd	Date	TOL.	±0.5	±0.8	± 1				

8

7

6

5

4

3

2

1