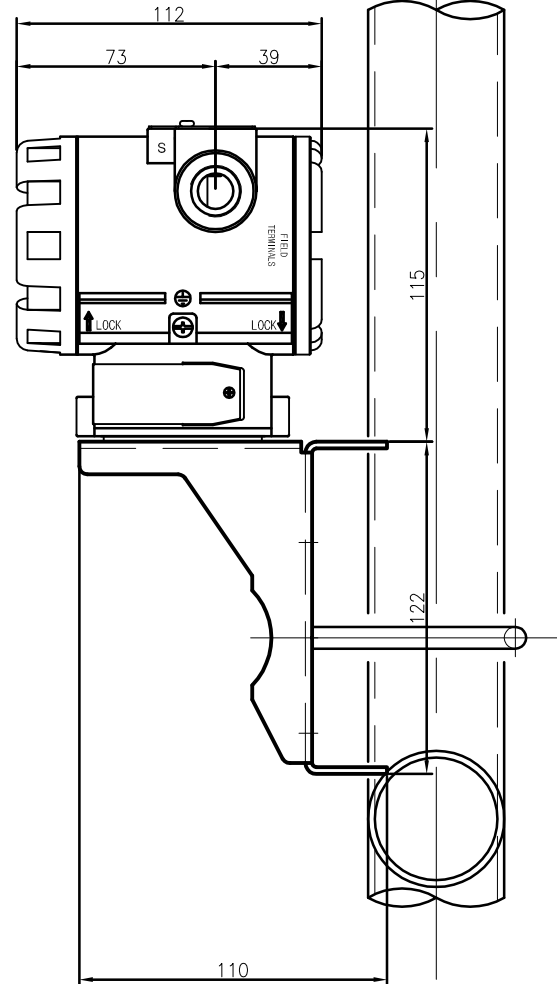
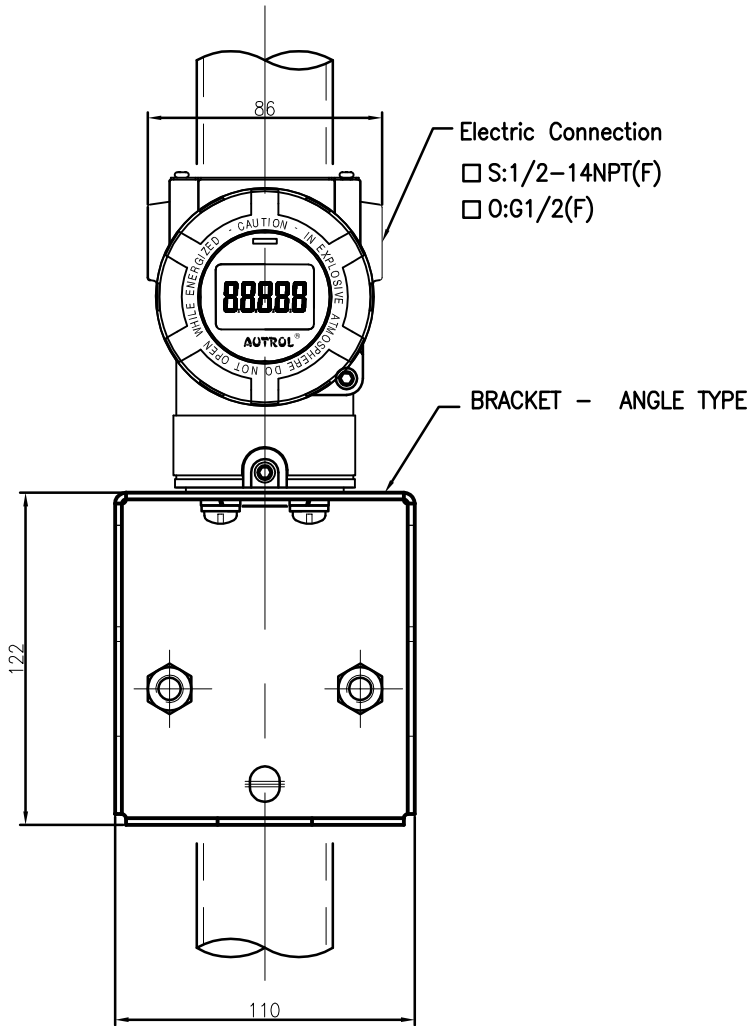


8 7 6 5 4 3 2 1

Part No.

F  
E  
D  
C  
B  
A



F  
E  
D  
C  
B  
A

										<b>AUTROL®</b> DUON System Co.,Ltd.								
										TITLE ATT2100								
										Outline Dimension								
										GENERAL TOLERANCE		Size	Scale	DWG No.	Rev.			
										RANGE	0.5-6	7-30	31-120	A3	1:2	MD-OLD-2100-BA0	0	
										TOL.	±0.1	±0.2	±0.3					
										RANGE	121-315	316-1000	1001-2000					
										TOL.	±0.5	±0.8	± 1	Unit	mm	File No.	Sheet	1 of 1
Rev.	Description				Dwg.	Date	Chk'd	Date	App'd	Date								

8 7 6 5 4 3 2 1